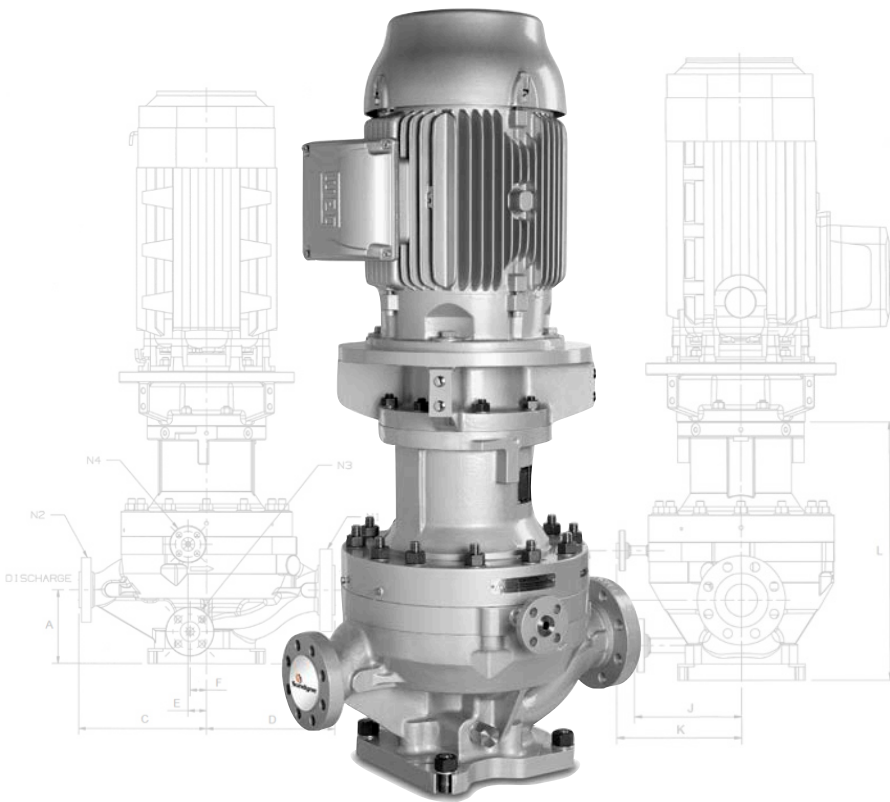




Built to comply with exacting API 685 (OH4) standards, the LMV-801S is a rigidly coupled vertical inline single stage overhung sealless magnetic drive pump.

LMV-801S



The **LMV-801S** is a sealless version of the Sundyne LMV-801 pump. Built to comply with API 685 (OH4) standards, it is suitable for use in a wide range of heavy duty applications. The LMV-801S is capable of delivering:

- Heads to 720 ft (220 m)
- Flows to 380 USgpm (86 m³/hr)
- Temperature Range: -40 to 400°F (-40 to 205°C)
- Standard Design Pressure: 580 psi (40 Bar)

Dimensionally interchangeable with the standard mechanically sealed LMV-801 variant, the LMV-801S can simply drop in to existing pipework, making this sealless upgrade possible without the need to modify piping and foundation layouts. Additionally, a plug-in version of the pump is available, enabling customers to swap out the mechanical seal drive end with the new sealless option without disconnecting the existing LMV-801 casing and diffusers from the pipeline.

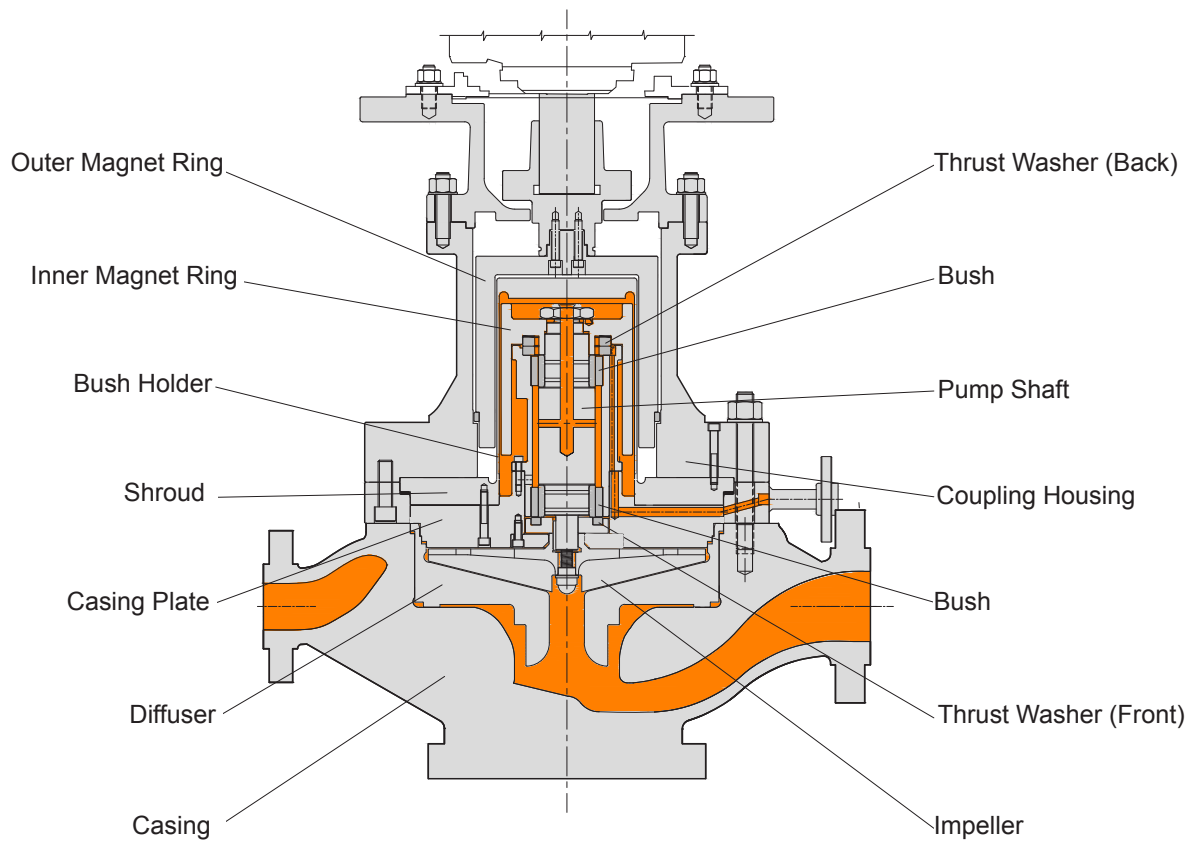
Specifications

Heads	720 ft	220 m
Flows (3500 rpm)	20 to 380 gpm	4.5 to 86 m ³ /h
Max Power	100 hp	75 kW
Temp Range	-40°F to 400°F	-40°C to 205°C
Max Case Working Pressure	580 psi	40 bar
Speed Range	1450 to 3500 rpm	
Materials of Construction	Carbon Steel, 316 SS, Duplex	
Bearing Materials	Silicone Carbide	
Hydrotest Pressure	870 psi	60 bar
Pump Case Corrosion Allowance	1/8"	3.2 mm
Max Viscosity	200 cSt	
Industry Standard	API 685 (OH4)	
Solids Range	Clean liquids only	
Motor Details	NEMA C Face Mounted	
Mounting Configurations	Rigidly Coupled OH4	
Seal Configurations Available	Sealless	
Available Inducer	Yes	
Available Flanges	600# RF	
Suction and Discharge	3" x 2"	

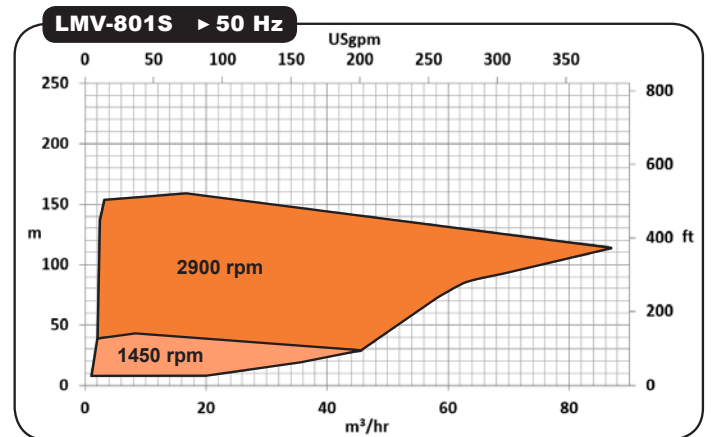
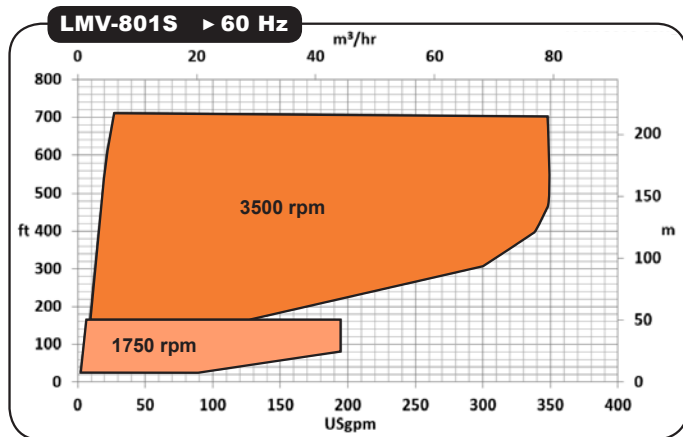
APPLICATIONS

- Oil Refineries
- Floating Production Storage and Offtake Facilities
- Oil Rigs
- Tanker Offloading (Road and Rail)
- Heavy Duty Chemical Applications
- Hot Oil Circulation
- Petrochemical Processing Plants
- Water Treatment
- Reactor Feed
- And many more...





PERFORMANCE



Visit our website at: www.sundyne.com

Sundyne Headquarters: Sundyne, LLC 14845 W. 64th Ave. Arvada, CO 80007 USA 1-866-SUNDYNE (US and Canada) Ph: +1 303 425 0800 Fax: +1 303 425 0896

Sundyne China: Bldg. 1, No. 879 Shen Fu Road, XinZhuang Industrial Zone, Min Hang District, Shanghai, China 201108 Ph: +86 21 6121 1600 Fax: +86 21 5442 5266

Sundyne France: Sundyne International S.A. 13-15, Bld. Eiffel - B.P. 30 21604 Longvic Cedex France Ph: +33 (0)3 80 38 33 00 Fax: +33 (0)3 80 38 33 66

Sundyne Spain: Sundyne Marelli Bombas, S.R.L. Ctra. Madrid-Toledo, Km.30.8 45200 Illescas Toledo, Spain Ph: +34 925 53 45 00 Fax: +34 925 51 16 00

Sundyne United Kingdom: Sundyne HMDKontro Sealless Pumps, Ltd. Marshall Rd Hampden Park Industrial Estate Eastbourne East Sussex, BN22 9AN UK Ph: +44 1323 452000 Fax: +44 1323 503369

© 2013 Sundyne, LLC All rights reserved. Other logos and trade names are property of their respective owners. LMV-801S_DS_US_POD_v1.0_121614