

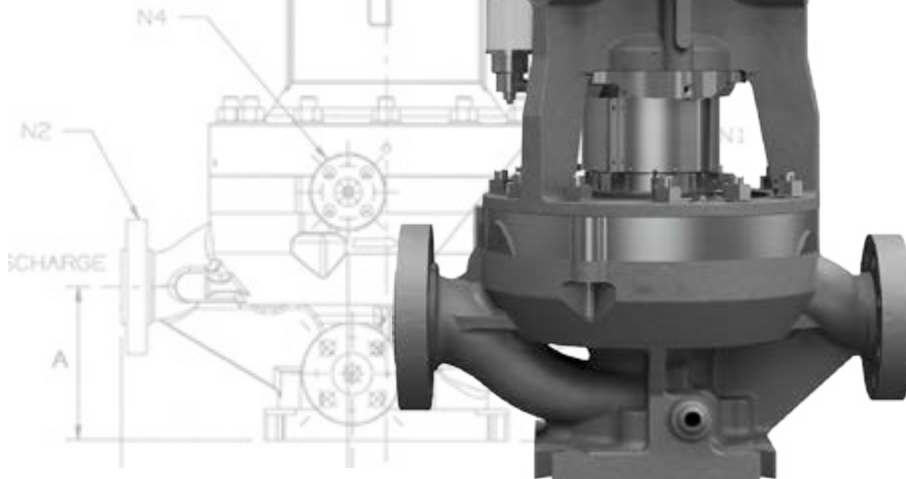
Thousands of extremely reliable and efficient Sundyne LMV 801 centrifugal direct drive pumps are widely utilized to move process liquids and chemicals in various hydrocarbon processing applications including refining, petrochemical and chemical processing facilities. Also, they are commonly utilized in midstream natural gas processing plants and offshore production rigs including FPSO's.



LMV 801CS

Direct drive vertical centrifugal pump

**API 682 Cartridge Seal
Now Available**



Specifications

Heads To	0 to 720ft	0 to 219m
Flows To	10 to 380gpm	2 to 86m ³ /hr
Max Power	0 to 75hp	0 to 55kW
Temp Range	-40 to 300°F	-40 to 149°C
Number of Stages	1	
Max Case Working Pressure	2,160 psi	152 kg/cm ²
Max Suction Pressure	875 psi	(60 bar)
Differential Head	700 ft	213 m
Speed Range	1,450 to 3,550rpm-60Hz	
Hydrotest Pressure	3,350 psi	235 kg/cm ²
Max Viscosity	750 cp	
Industry Standard	OH3 API-610	
Solids Range	0.015" (0.381mm), 400 microns	
Mounting Configurations	Vertical	
Seal Configurations Available	Single, Double, Tandem API 682 Cartridge	
Available Inducer	Yes	
Available Flanges	ANSI 600# RF, 900# RF Optional	
Pump Case Corrosion Allowance	0.125 in (3.17 mm)	
Suction and Discharge Size	3" x 2"	
API Plans for Sundyne Pumps	11, 12, 13, 21, 23, 31, 41, 52, 53, 54, 61, 62, J	

The Sundyne LMV 801CS is a direct drive centrifugal pump with a cartridge seal in a standard OH3 API 610 configuration.

The LMV 801CS delivers:

- Flows To: 380 gpm (86 m³/hr)
- Heads To: 720 ft (219 m)

The Sundyne LMV 801CS (Cartridge Seal) is a self-contained unit consisting of a shaft sleeve, seal and gland plate that fits onto the pump shaft as a single assembly. The cartridge seal design eliminates many common causes of seal failure and it helps operators overcome the fitting and installation problems associated with conventional seals. The compact and rugged **API 682 cartridge seal** is designed specifically for the Sundyne LMV 801, providing operators and maintenance engineers with an economical alternative to standard seal configurations, in a convenient package that eliminates errors in installation.

APPLICATIONS

- Polymers
- Conventional Boiler
- Crude Handling
- Boiler Circulation Systems
- Refining
- Water Handling
- Oil and Gas
- Water Treatment



Sundyne Pump Model LMV-801 CS

* Patent Pending

API L10
Rated
Bearings

Bearing
Box Oiler

API-682
Cartridge Seal.
Single Seal Shown.
Double and Tandem
Configurations Available

Seal Housing

Diffuser Cover

Impeller

Desiccant
Oil
Breather

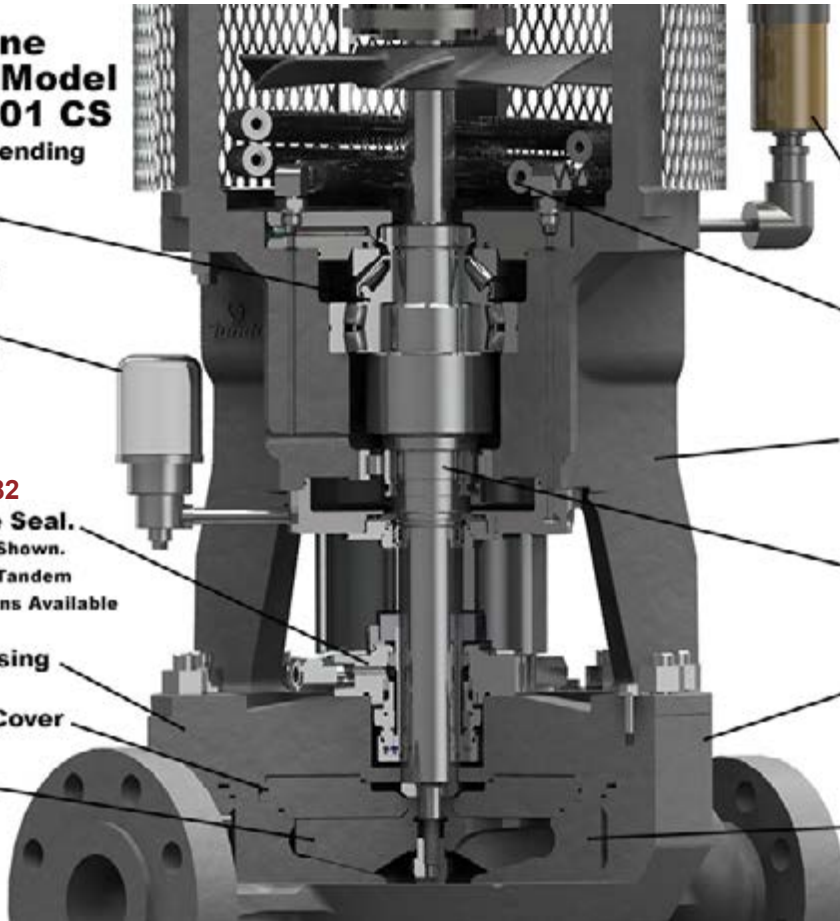
Integral
Cooling
System*

3 Leg
Bearing
Box*

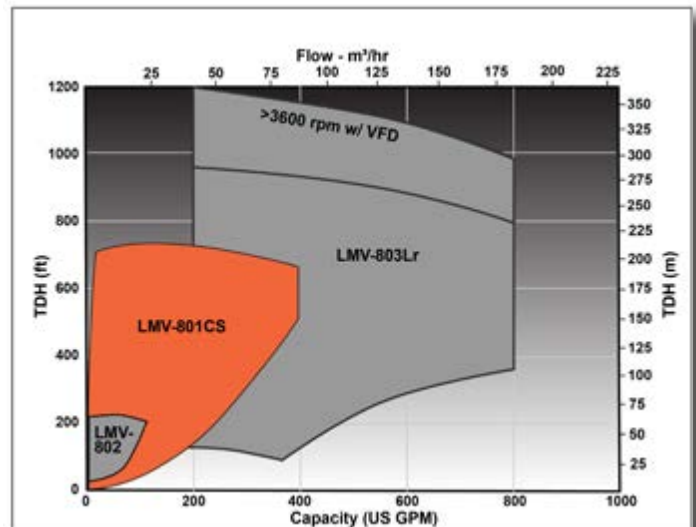
2"
Diameter
Shaft

Pump
Case

Diffuser



**Single,
Double, Tandem
HAVE IT YOUR WAY.
TODAY.**



Visit our website at: www.sundyne.com

Sundyne, LLC 14845 W. 64th Ave. Arvada, CO 80007 USA 1-866-SUNDYNE (US and Canada) Ph: +1 303 425 0800 Fax: +1 303 425 0896

Sundyne China: Bldg. 1, No. 879 Shen Fu Road, XinZhuang Industrial Zone, Min Hang District, Shanghai, China 201108 Ph: +86 21 5055 5005 Fax: +86 21 5442 5265

France: 13-15, Bld. Eiffel - B.P. 30 21604 Longvic Cedex France Ph: +33 (0)3 80 38 33 00 Fax: +33 (0)3 80 38 33 66

Spain: Ctra. Madrid-Toledo, Km.30.8 45200 Illescas Toledo, Spain Ph: +34 925 53 45 00 Fax: +34 925 51 16 00

United Kingdom: Marshall Rd Hampden Park Industrial Estate Eastbourne East Sussex, BN22 9AN UK Ph: +44 1323 452000 Fax: +44 1323 503369

© 2018 Sundyne, LLC All rights reserved. Other logos and trade names are property of their respective owners. LMV 801CS_US_DS_POD_v1.0_020818